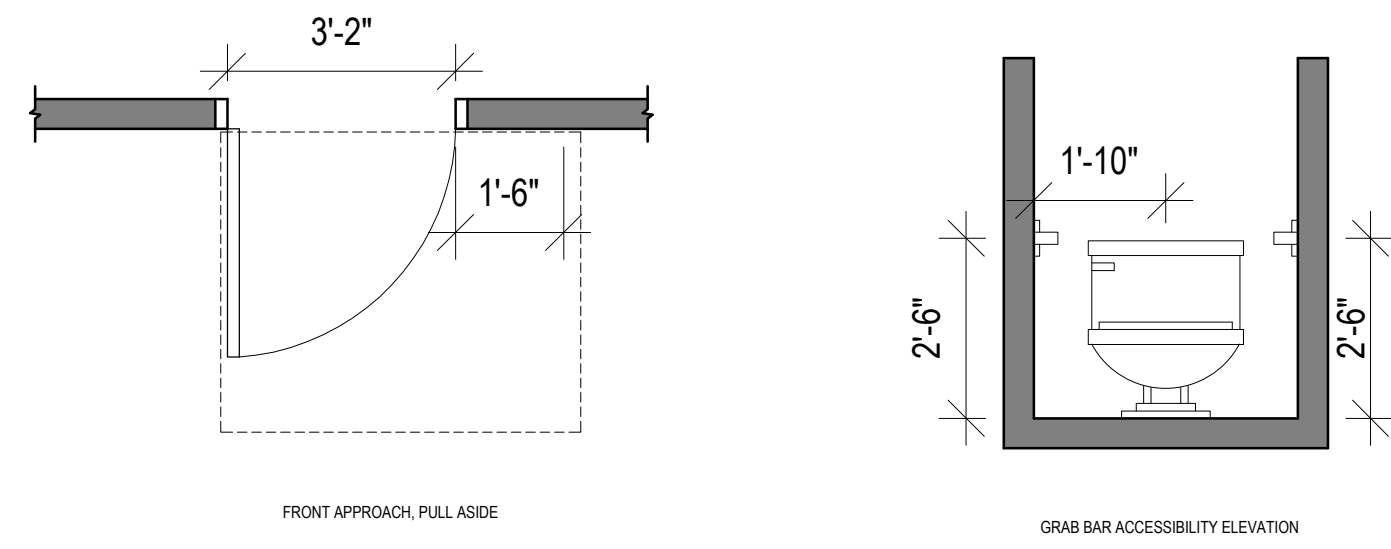


ADA STANDARD MOUNTING HEIGHTS



- DRAWING INDEX:
- A.4.0 - FLOOR PLAN
 - A.4.1 - F, F, AND E PLAN
 - A.5.0 - REFLECTED CEILING PLAN
 - A.10.1 - LARGE SCALE PLANS
 - A.10.2 - LARGE SCALE PLANS, ELEVATIONS, AND SECTIONS
 - A.10.3 - CUSTOM FIXTURE
 - A.11.0 - ROOM FINISH SCHEDULE
 - E.2.0 - POWER & COMMUNICATION PLAN

PRODUCED BY AN AUTODESK STUDENT VERSION

PRODUCED BY AN AUTODESK STUDENT VERSION

ABBREVIATIONS	DRAWING SYMBOLS	MATERIAL INDEX	BUILDING CODE SUMMARY
<p>DWG - Drawing A.F.F. - ABOVE FLOOR FINISH SF - SQUARE FEET</p>	<p># DRAWING NAME SCALE Drawing Label</p> <p>N North Arrow</p> <p>OFFICE 101 Room Label</p> <p># Drawing Number # A.1 Page Number #----- Drawing Number # A.1 # Multiple Elevation Symbol # Page Number</p> <p># Drawing Number # A.1 Page Number Section Symbol</p> <p># Drawing Number # A.1 Page Number Detail Symbol</p> <p>XX - # Furniture Reference Symbol</p>		<p>ADOPTED JURISDICTION CODES AMERICANS WITH DISABILITIES ACT - 2010 FAIR HOUSING ACT INTERNATIONAL BUILDING CODE - 2018 INTERNATIONAL CODE COUNCIL PERFORMANCE CODE - 2019 INTERNATIONAL FIRE CODE - 2018 INTERNATIONAL PLUMBING CODE - 2018 INTERNATIONAL MECHANICAL CODE - 2018 INTERNATIONAL CODE COUNCIL ELECTRIC CODE - 2018 INTERNATIONAL CODE/COUNCIL AMERICAN NATIONAL STANDARD INSTITUTE A117.1 - 2017 NATIONAL ELECTRIC CODE - 2018</p> <p>OCCUPANCY CLASSIFICATION (RESIDENTIAL)</p> <p>OCCUPANT LOAD (3 PERSONS - THREE BEDROOM TYPICAL UNIT) (2 PERSONS - TWO BEDROOM TYPICAL UNIT) (1 PERSONS - GUEST APARTMENT UNIT) (17 PERSONS - LAUNDRY FACILITY)</p> <p>CONSTRUCTION TYPE (WOOD FRAME)</p> <p>SQUARE FOOTAGE (1200 SF - THREE BEDROOM TYPICAL UNIT) (994 SF - TWO BEDROOM TYPICAL UNIT) (460 SF - GUEST APARTMENT UNIT) (185 SF - LAUNDRY FACILITY)</p>
GENERAL NOTES			

COVER PAGE



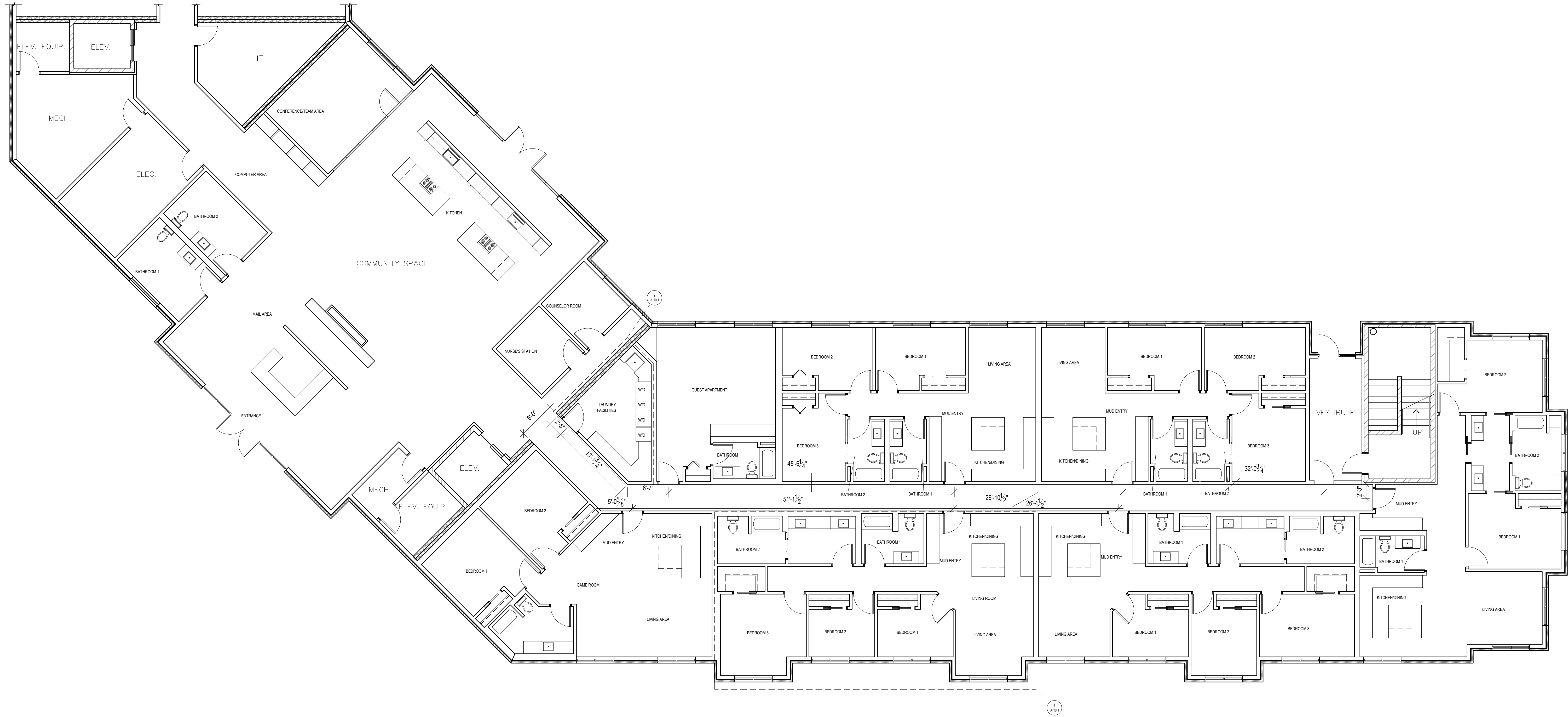
DRAWN BY:
MAXWELL PICKETT
COURSE: ADHM 351
DATE: 12/12/2019

A.COVER

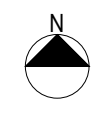
NOTES:
- REFERENCE OTHER DRAWINGS AS NEEDED

PRODUCED BY AN AUTODESK STUDENT VERSION

PRODUCED BY AN AUTODESK STUDENT VERSION



1 FLOOR PLAN
SCALE: 1/8" = 1' - 0"



FLOOR PLAN

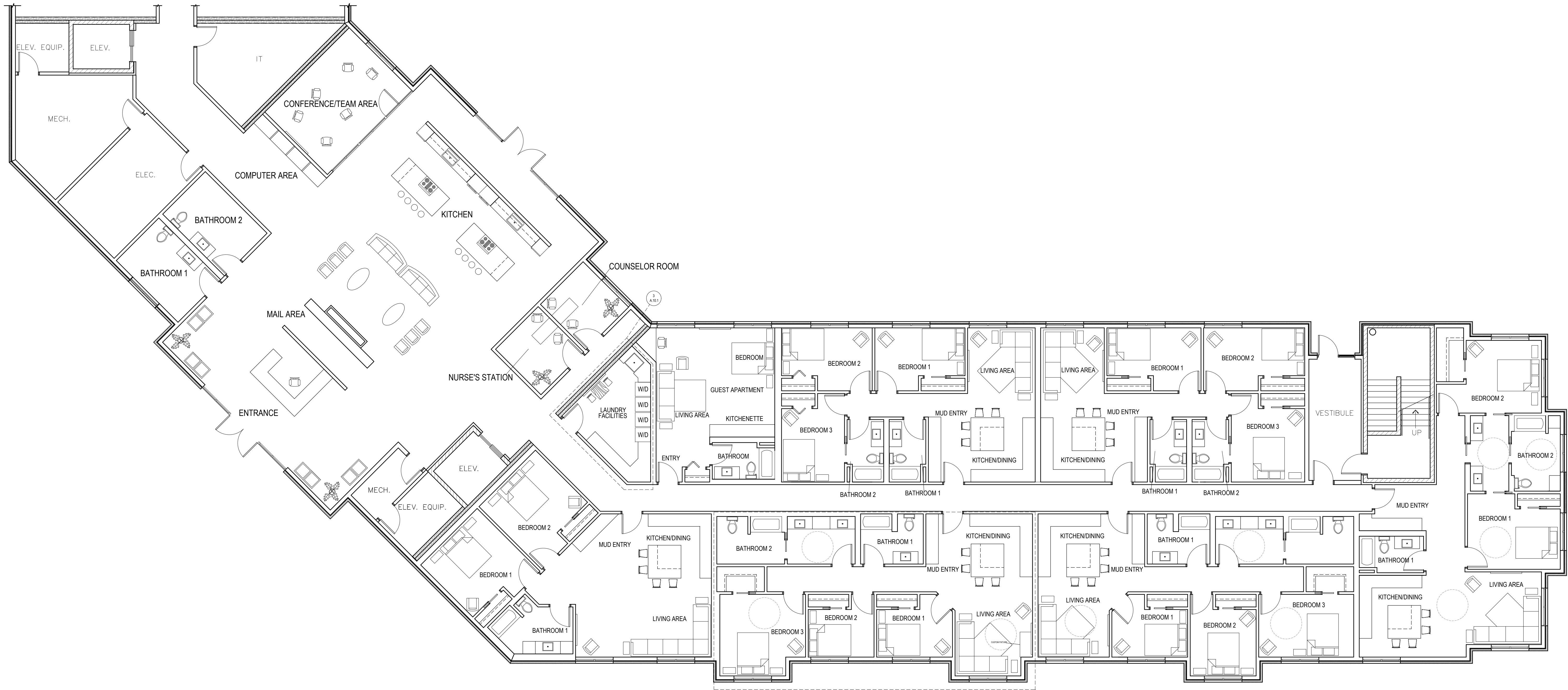


DRAWN BY:
MAXWELL PICKETT
COURSE: ADHM 351
DATE: 12/12/2019

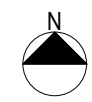
A.4.0

PRODUCED BY AN AUTODESK STUDENT VERSION

PRODUCED BY AN AUTODESK STUDENT VERSION



1 F, F, AND E PLAN
SCALE: 1/8" = 1' - 0"



F, F, AND E PLAN



DRAWN BY:
MAXWELL PICKETT
COURSE: ADHM 351
DATE: 12/12/2019

NOTES:
 - ALL CEILING HEIGHTS ARE 9' - 0"
 - REFERENCE PROGRAMMING BINDER FOR ALL SELECTIONS

PRODUCED BY AN AUTODESK STUDENT VERSION

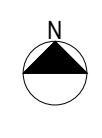
PRODUCED BY AN AUTODESK STUDENT VERSION



ELECTRICAL LEGEND	
	L1, PENDANT
	L2, VANTY LIGHT
	L3, CHANDELER
	L4, RECESSED CAN
	SURFACED MOUNTED RECESSED LED

CEILING MATERIAL LEGEND	
	5/8\"/>
	UNALLOCATED AREA
	7 x 4\"/>

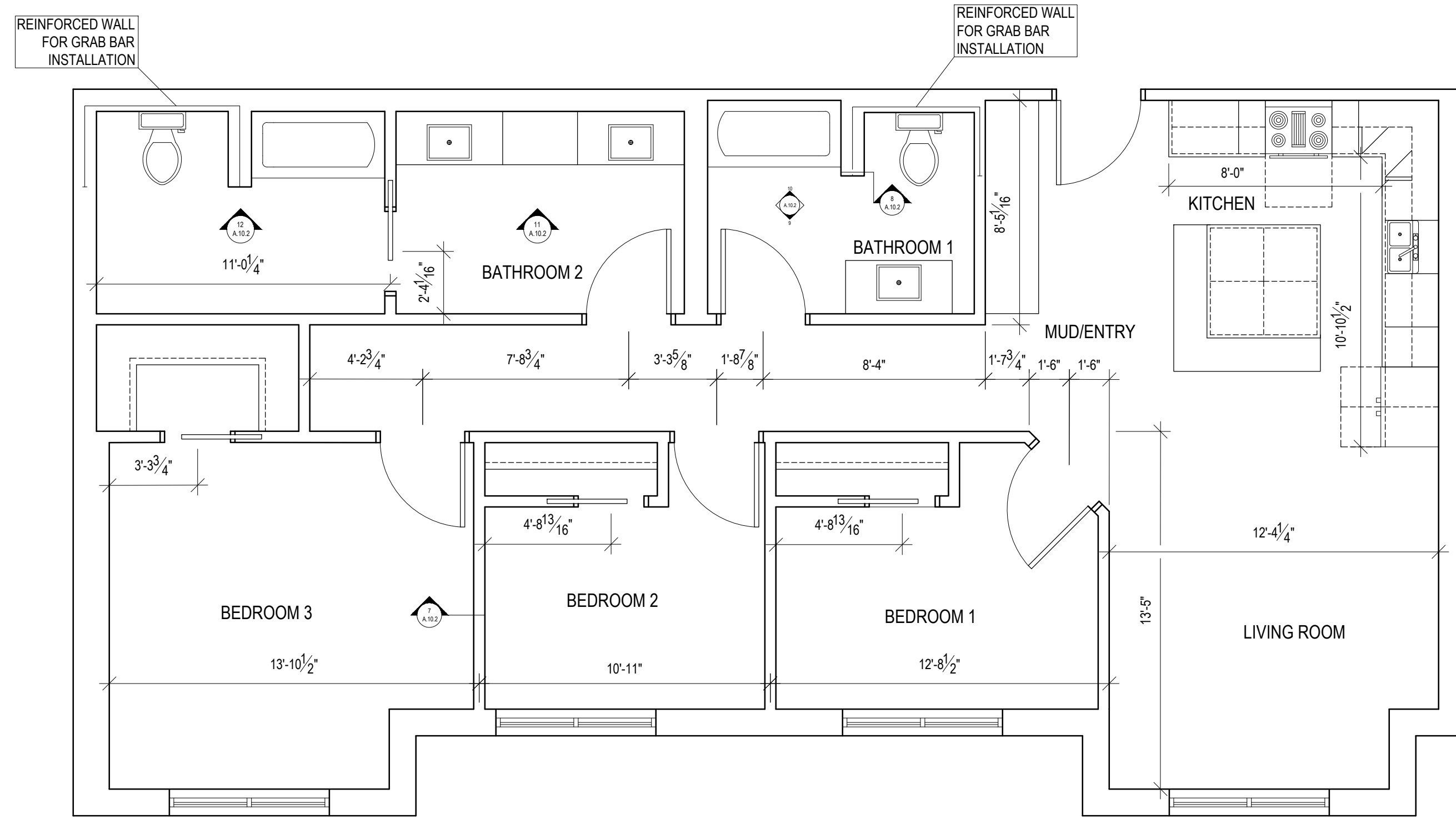
1 REFLECTED CEILING PLAN
 SCALE: 1/8" = 1' - 0"



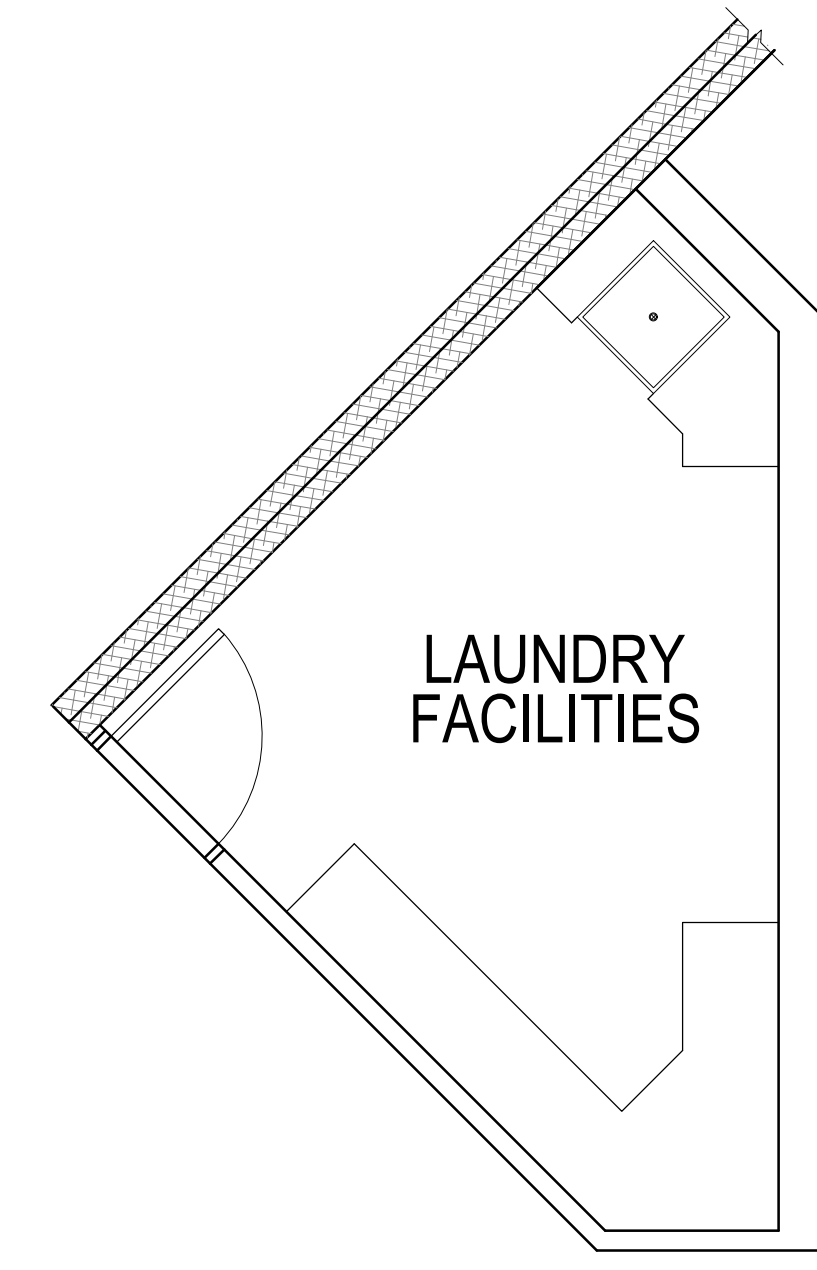
REFLECTED CEILING PLAN



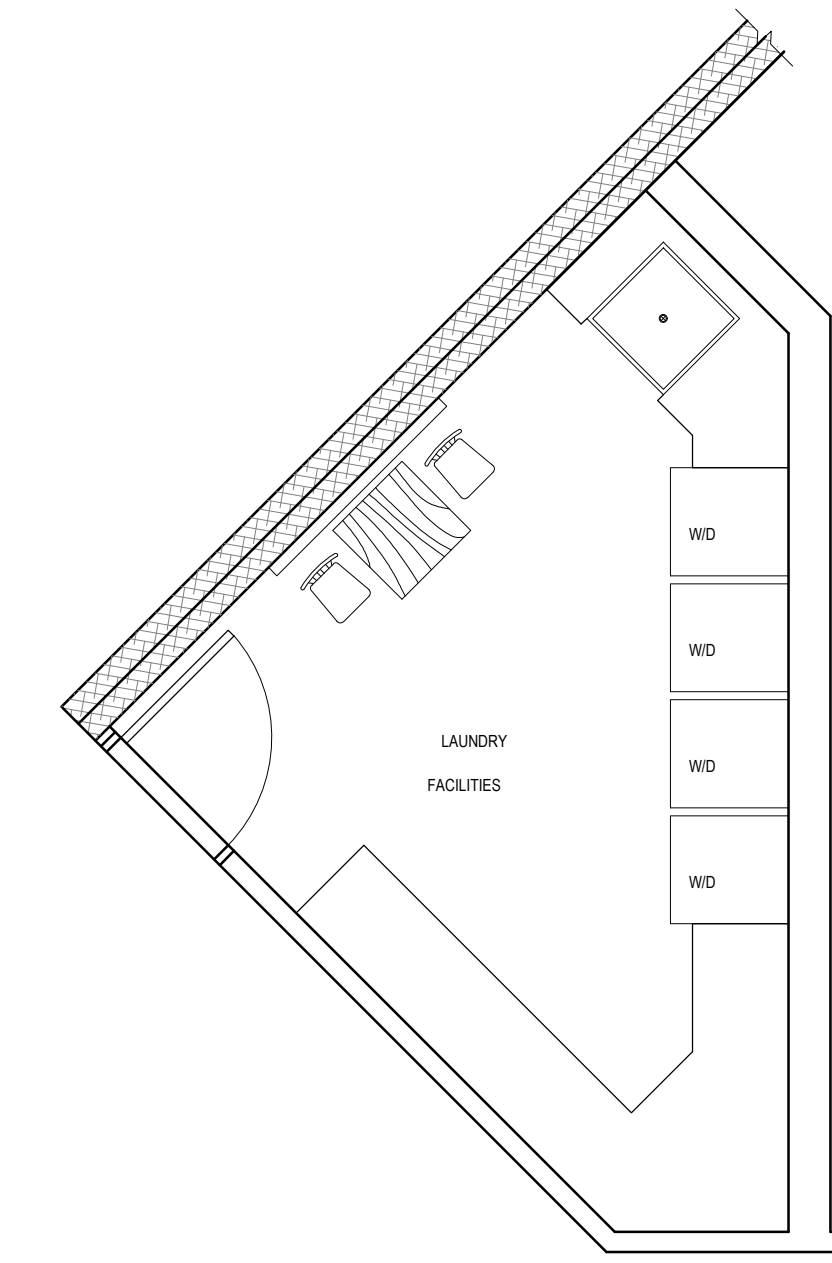
DRAWN BY:
 MAXWELL PICKETT
 COURSE: ADHM 351
 DATE: 12/12/2019



1 LARGE SCALE FLOOR PLAN
SCALE: 1/4" = 1' - 0"

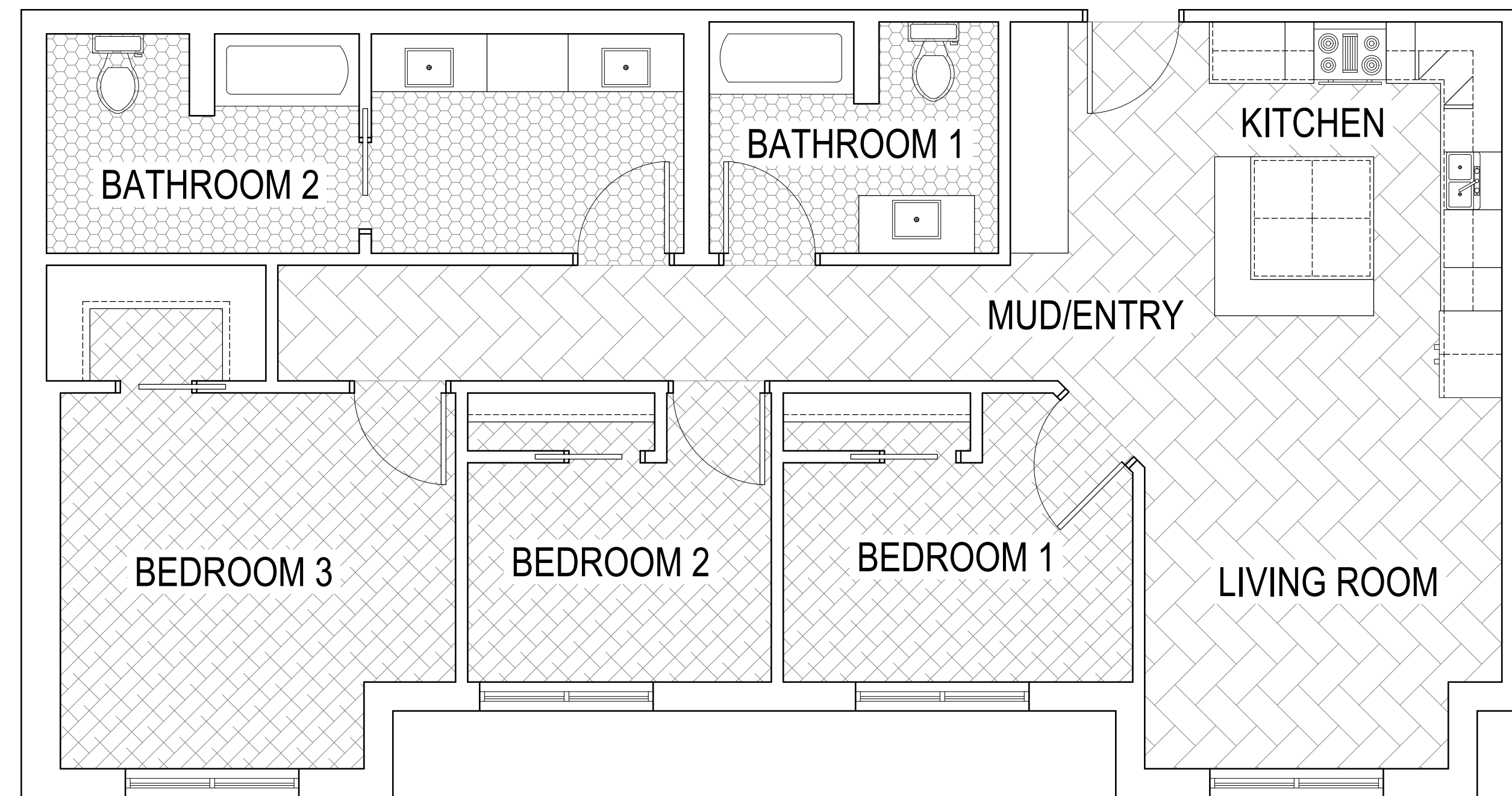


2 LARGE SCALE LAUNDRY FACILITIES PLAN
SCALE: 1/4" = 1' - 0"



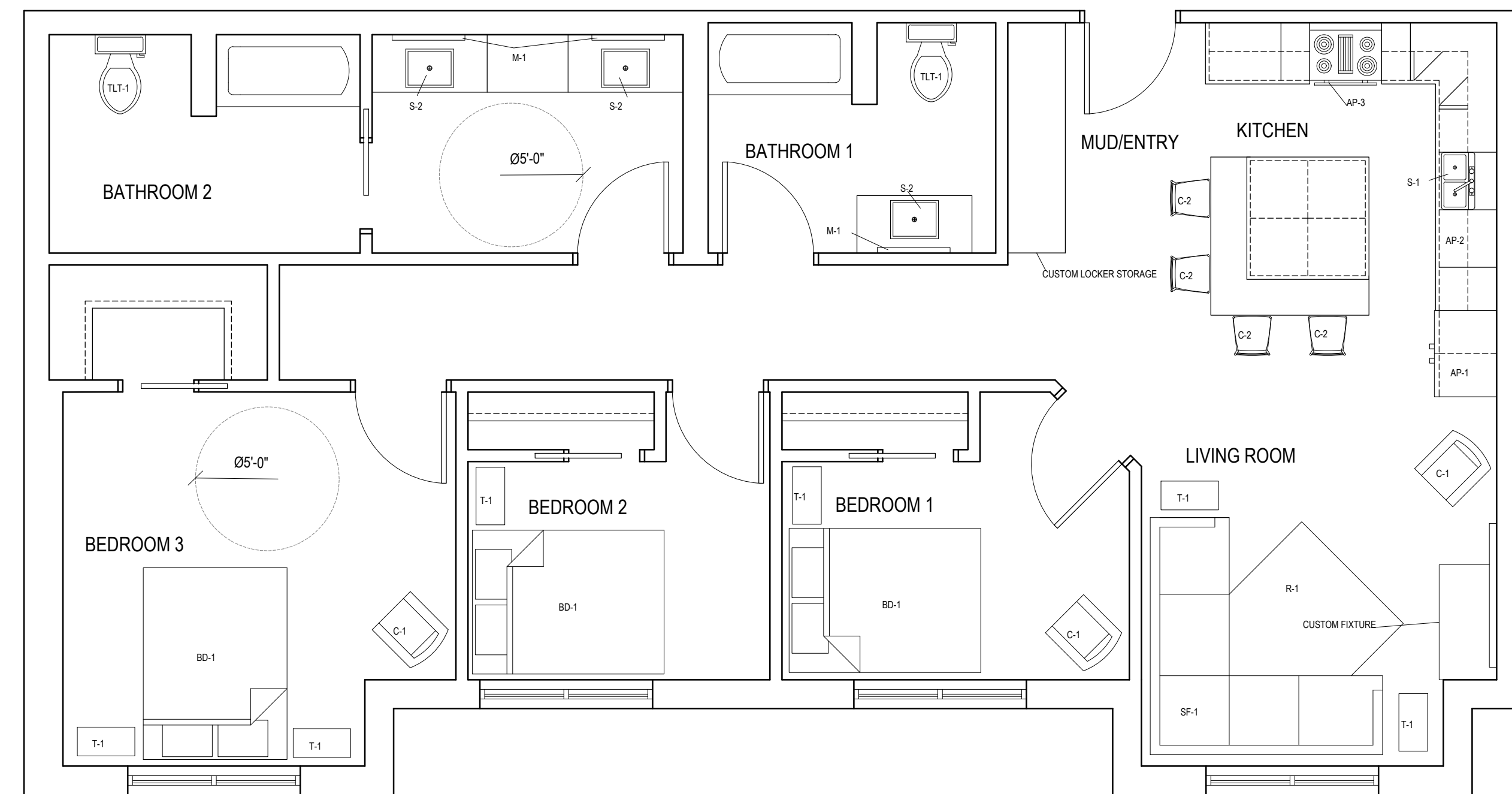
3 LARGE SCALE LAUNDRY FACILITIES F. F. AND E PLAN
SCALE: 1/4" = 1' - 0"

PRODUCED BY AN AUTODESK STUDENT VERSION



FLOOR FINISH PLAN	
	LVT-1, LUXURY VINYL TILE
	CPT-1, CARPET TILE
	TL-1, MOSAIC TILE

4 LARGE SCALE FLOOR FINISH PLAN
SCALE: 1/4" = 1' - 0"



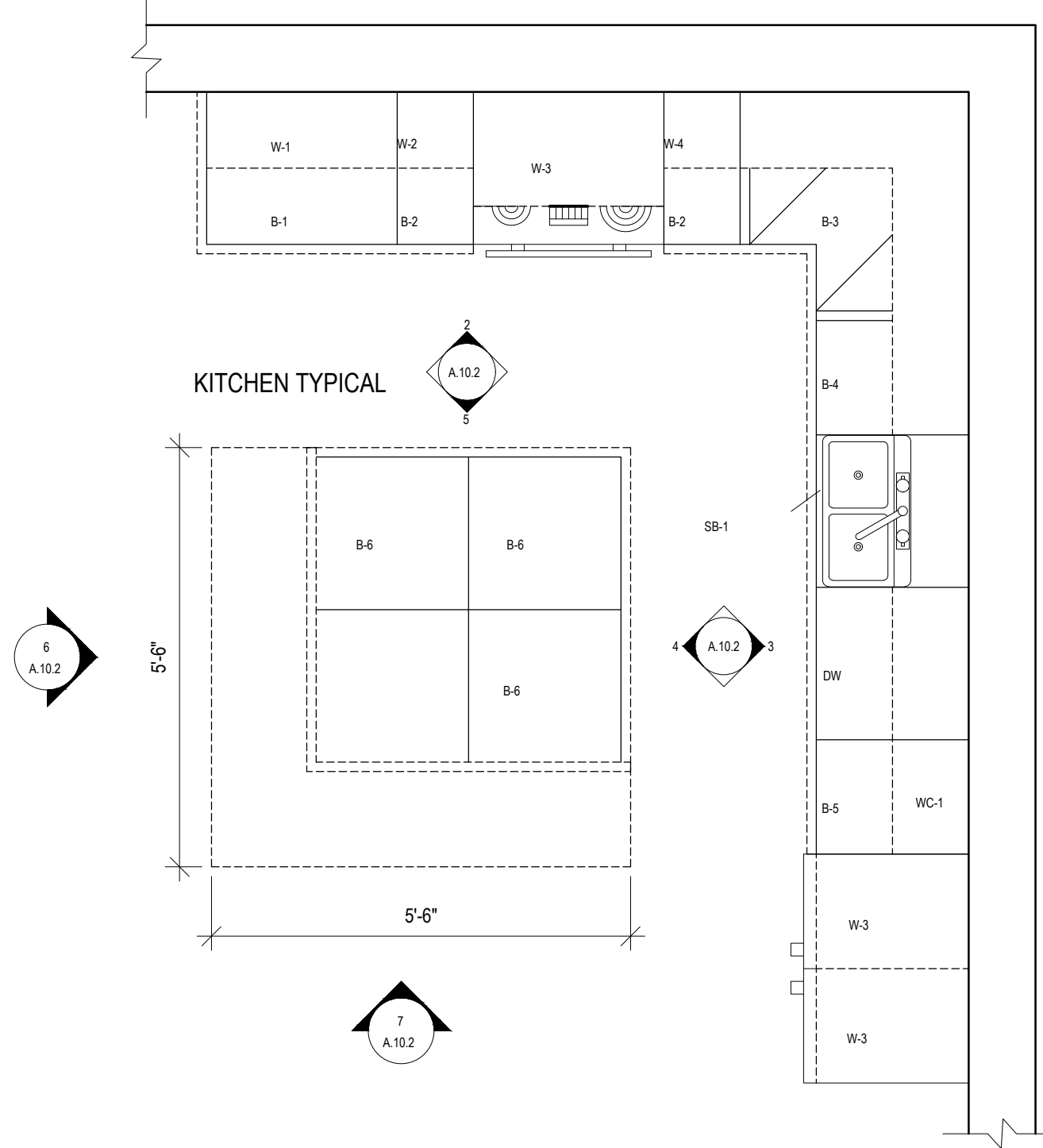
5 LARGE SCALE F. F. AND E PLAN
SCALE: 1/4" = 1' - 0"

PRODUCED BY AN AUTODESK STUDENT VERSION

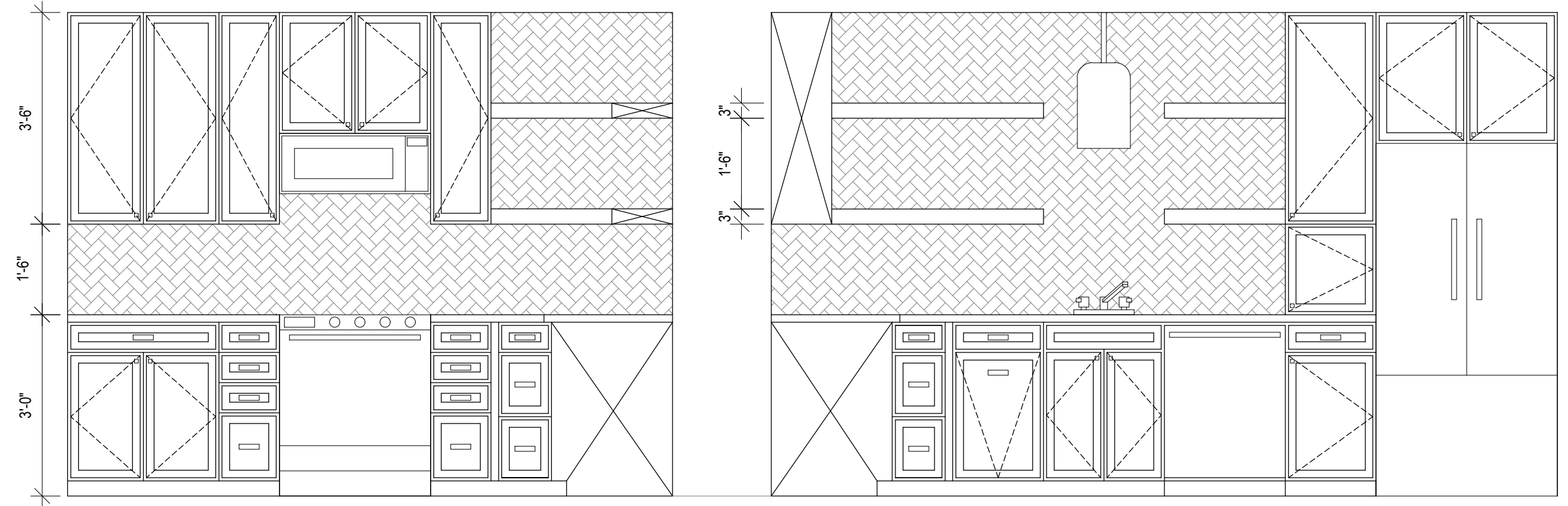
LARGE SCALE PLANS



DRAWN BY:
MAXWELL PICKETT
COURSE: ADHM 351
DATE: 12/12/2019

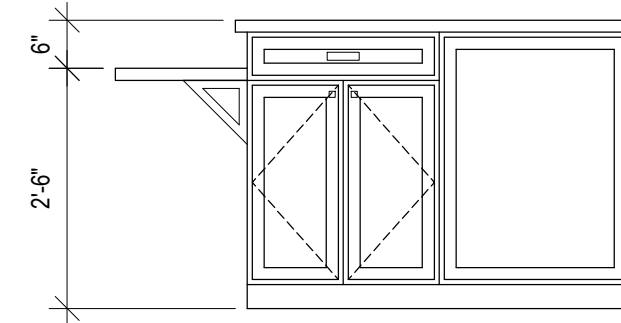


KITCHEN						
CODE	LABEL	QTY.	W	D	H	DESCRIPTION
B-1	B034524R	1	30"	24"	34.5"	BASE CABINET
B-2	B1234524R	2	12"	24"	34.5"	BASE CABINET
B-3	B0036R	1	48"	24"	34.5"	BASE CABINET
B-4	B1834524	1	18"	24"	34.5"	BASE CABINET
B-5	B1834524R	1	18"	24"	34.5"	BASE CABINET
B-6	B243524	3	24"	24"	34.5"	BASE CABINET
SB-1	S8243524	1	24"	24"	34.5"	SINK BASE
W-1	W324212	1	30"	12"	42"	WALL CABINET
W-2	W124212L	1	12"	12"	42"	WALL CABINET
W-3	W324218	2	30"	18"	42"	WALL CABINET
W-4	W124212R	1	12"	12"	42"	WALL CABINET
WC-1	W186122R	1	18"	12"	60"	WALL CTV. CABINET

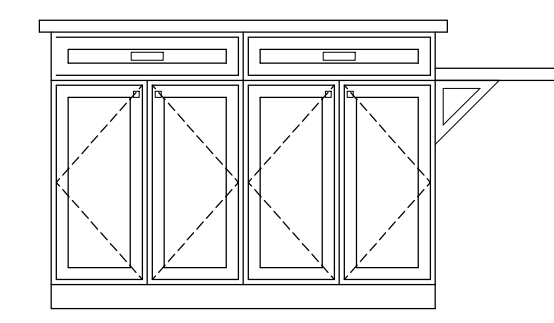


2 KITCHEN ELEVATION
SCALE: 1/2" = 1' - 0"

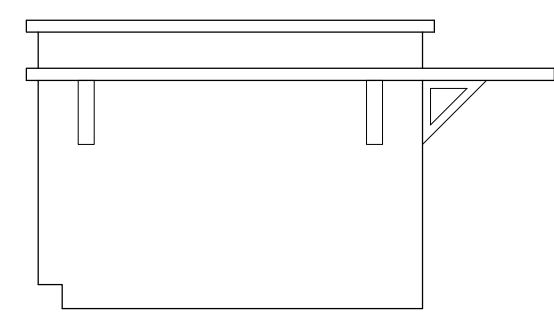
3 KITCHEN ELEVATION
SCALE: 1/2" = 1' - 0"



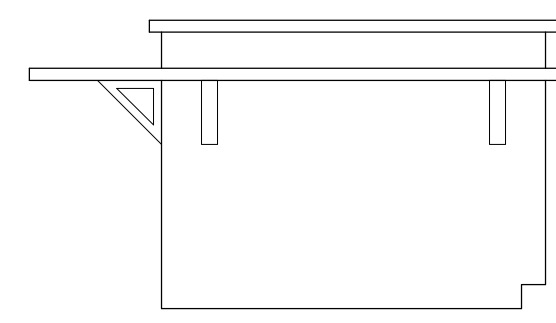
4 KITCHEN ELEVATION
SCALE: 1/2" = 1' - 0"



5 KITCHEN ELEVATION
SCALE: 1/2" = 1' - 0"

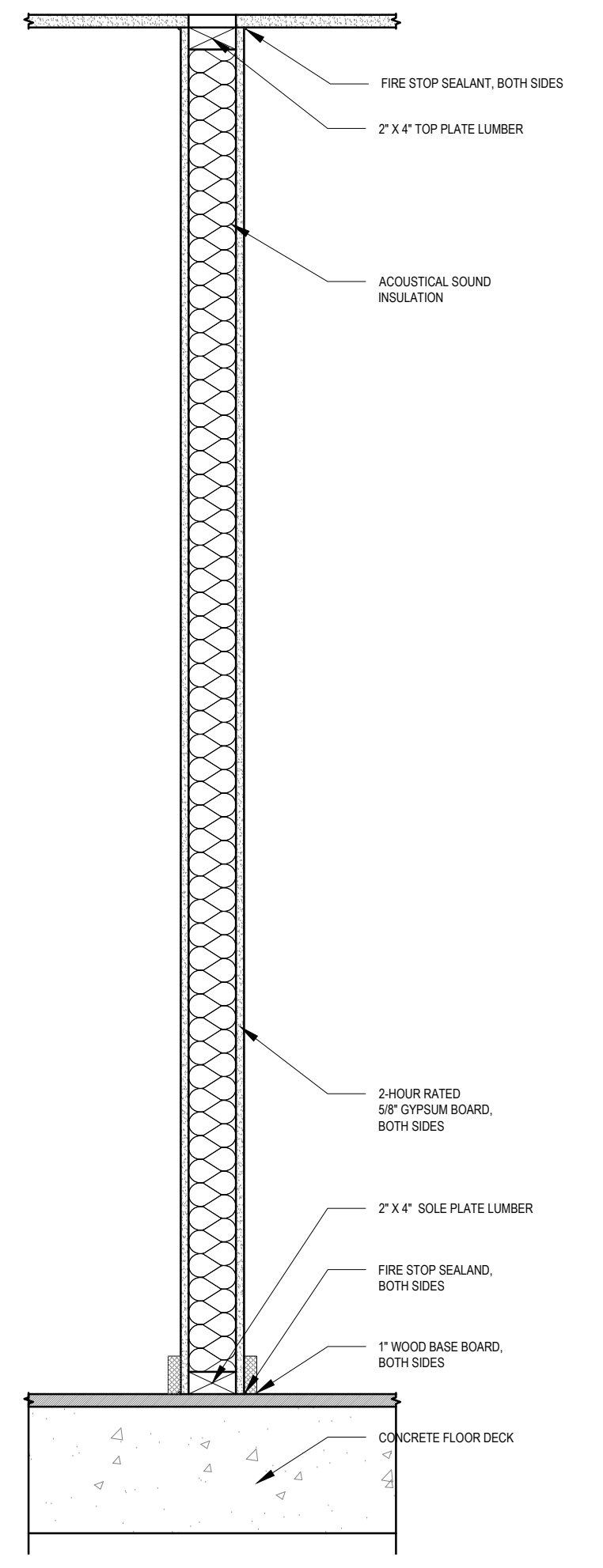


6 KITCHEN ELEVATION
SCALE: 1/2" = 1' - 0"

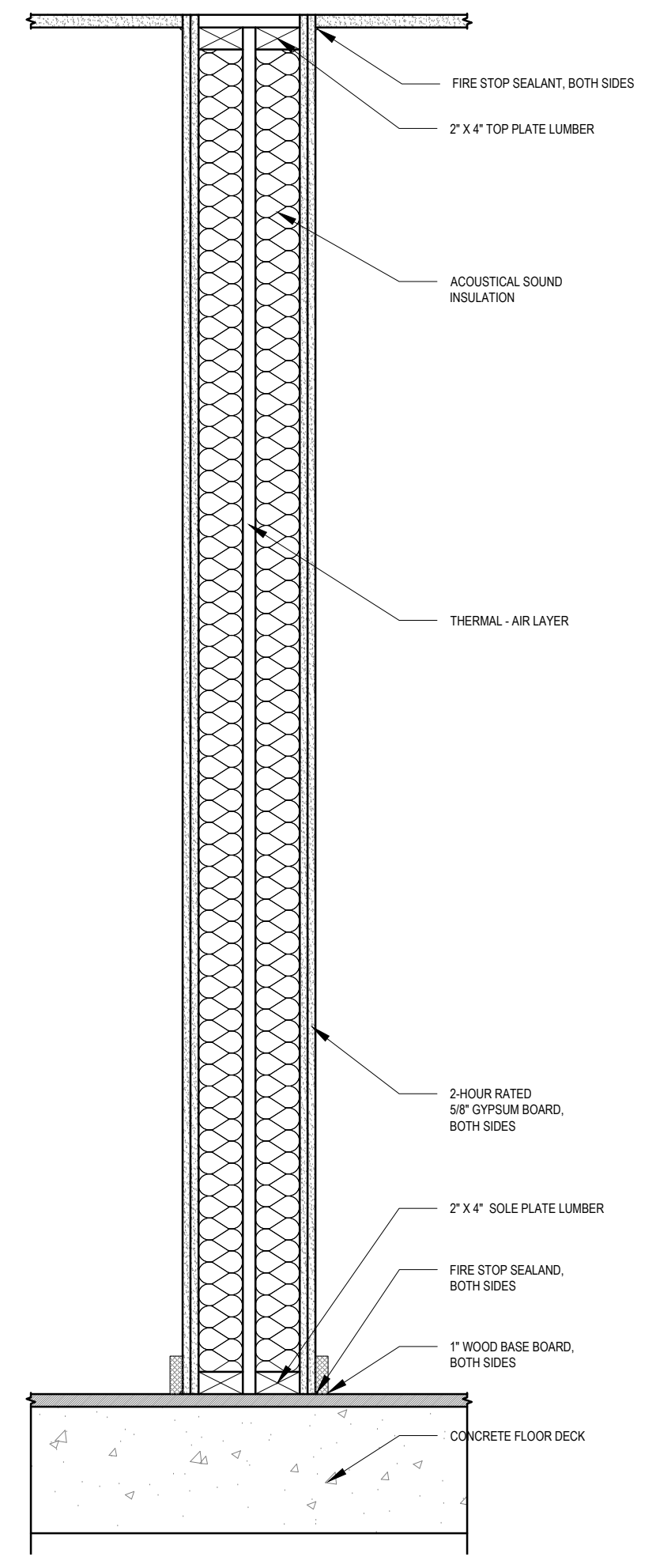


7 KITCHEN ELEVATION
SCALE: 1/2" = 1' - 0"

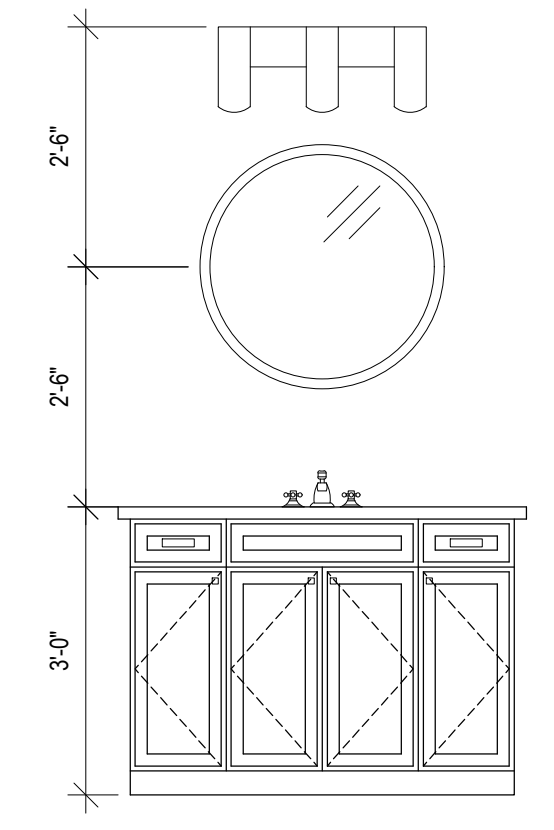
1 LARGE SCALE REFLECTED CEILING PLAN
SCALE: 1/4" = 1' - 0"



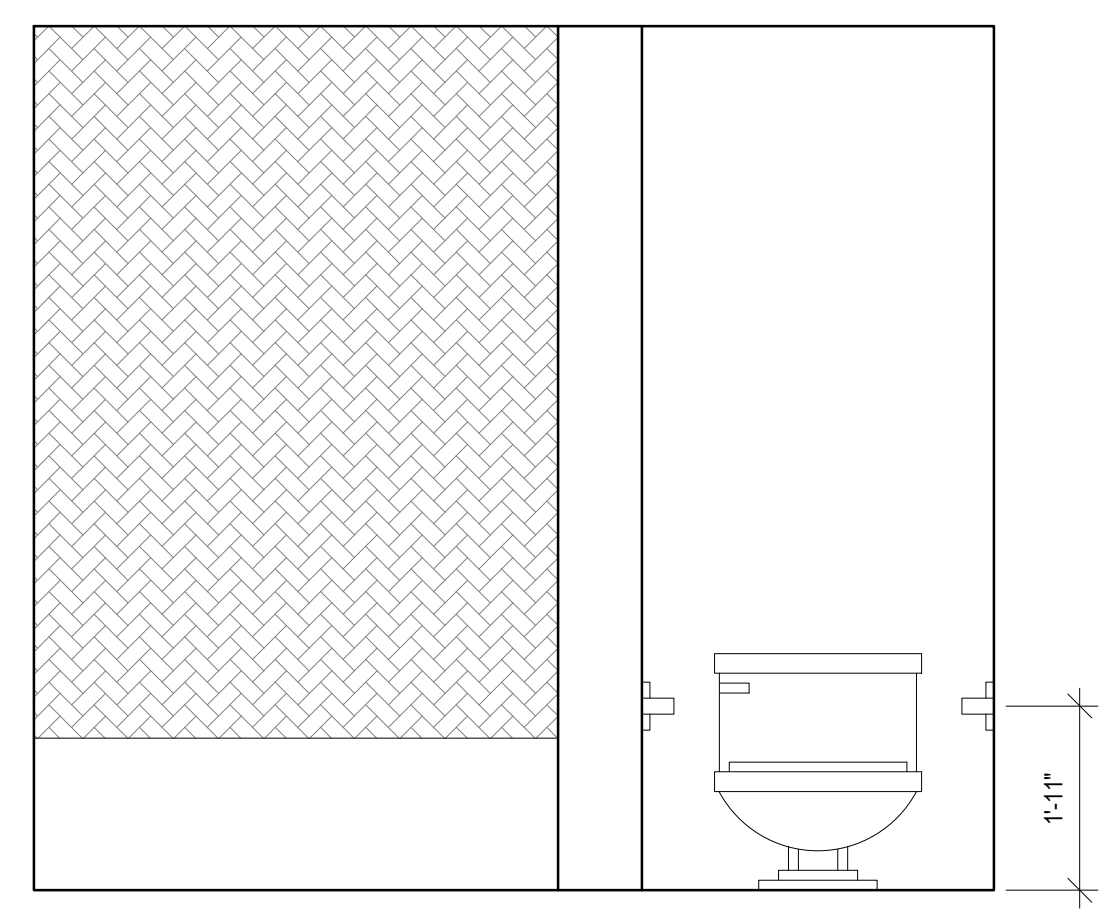
7 1 HOUR RATED WALL SECTION
SCALE: 1" = 1' - 0"



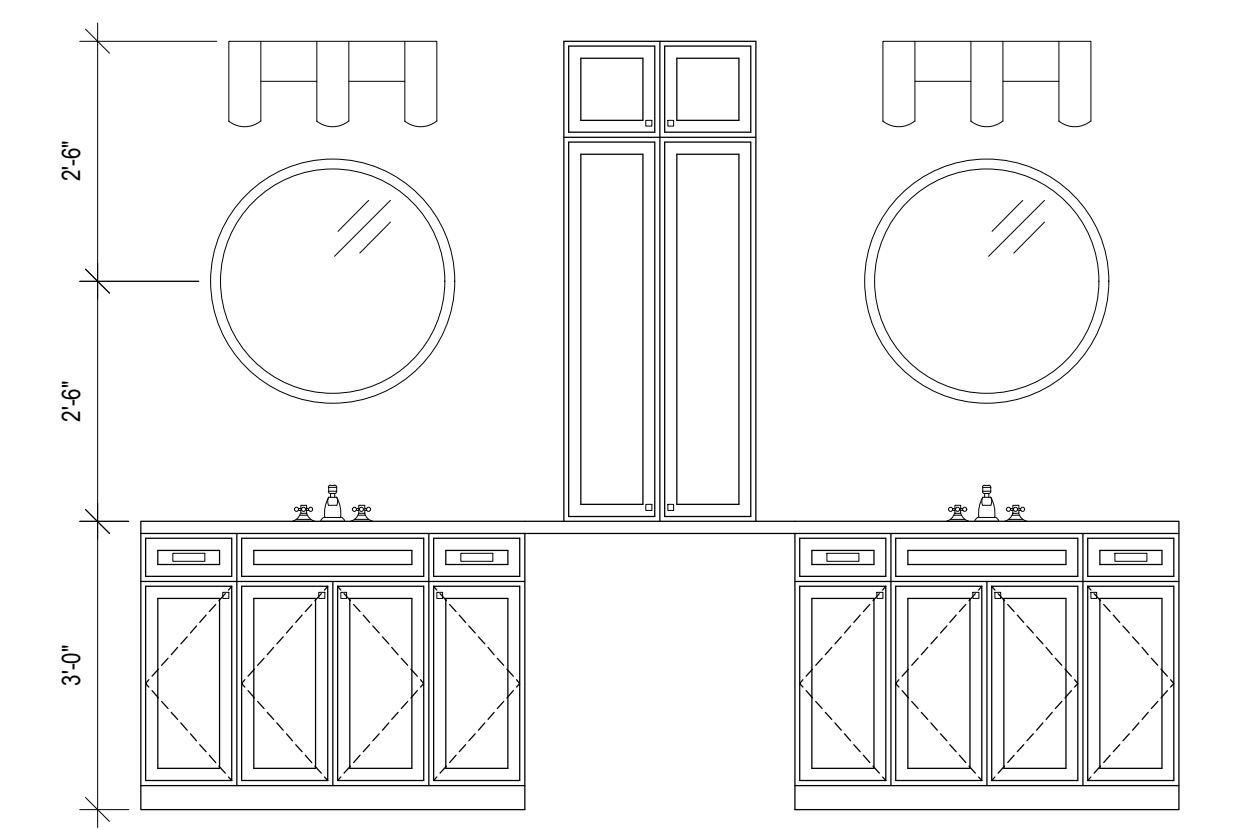
8 2 HOUR RATED WALL SECTION
SCALE: 1" = 1' - 0"



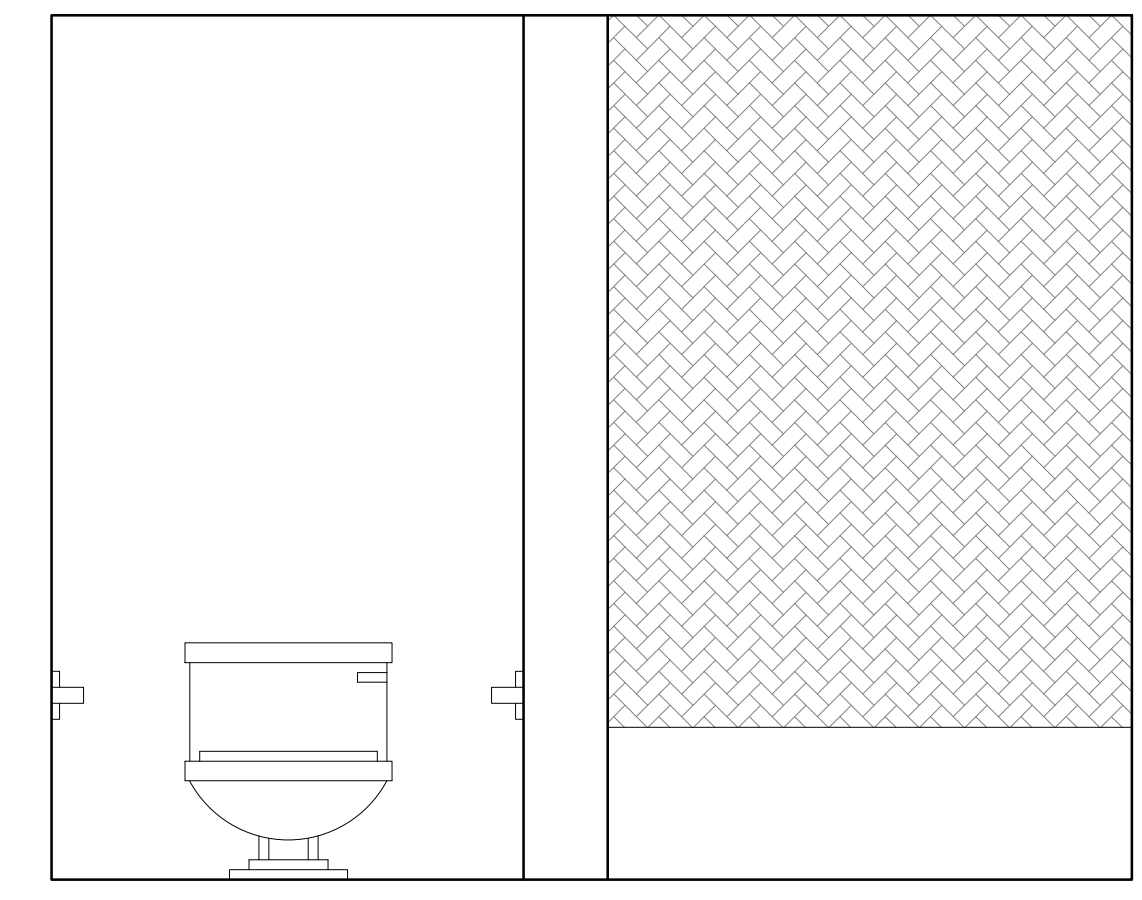
9 BATHROOM ELEVATION
SCALE: 1/2" = 1' - 0"



10 BATHROOM ELEVATION
SCALE: 1/2" = 1' - 0"



11 BATHROOM ELEVATION
SCALE: 1/2" = 1' - 0"



12 BATHROOM ELEVATION
SCALE: 1/2" = 1' - 0"

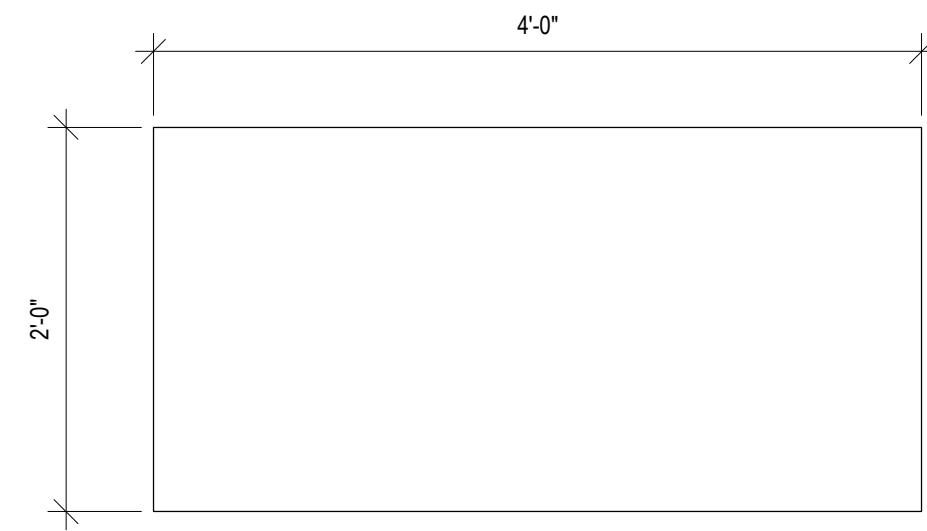
PRODUCED BY AN AUTODESK STUDENT VERSION

PRODUCED BY AN AUTODESK STUDENT VERSION

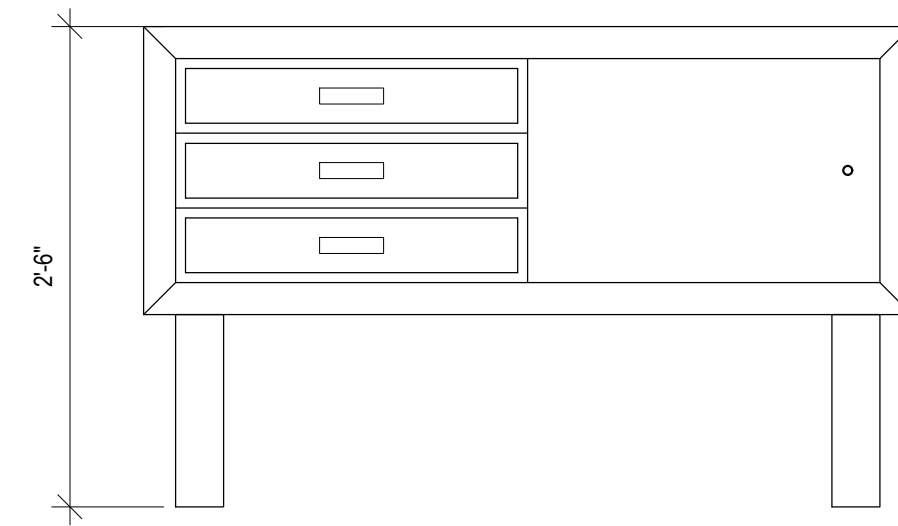
LARGE SCALE PLANS, ELEVATIONS, AND SECTIONS



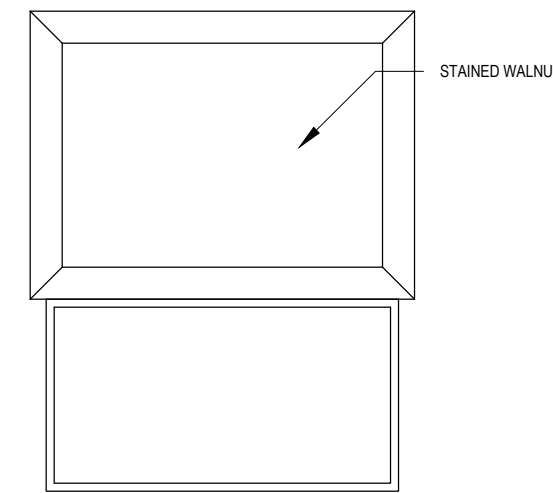
DRAWN BY:
MAXWELL PICKETT
COURSE: ADHM 351
DATE: 12/12/2019



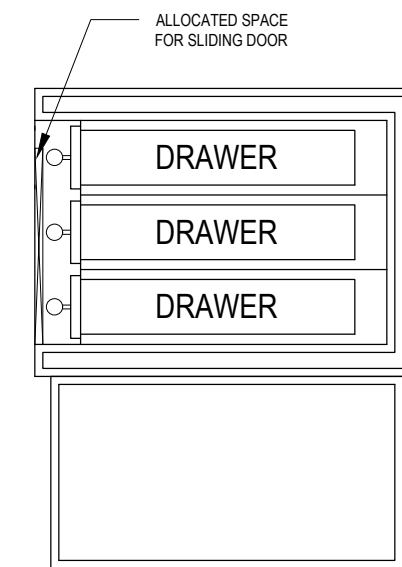
1 TOP VIEW OF CUSTOM PIECE
SCALE: 1" = 1' - 0"



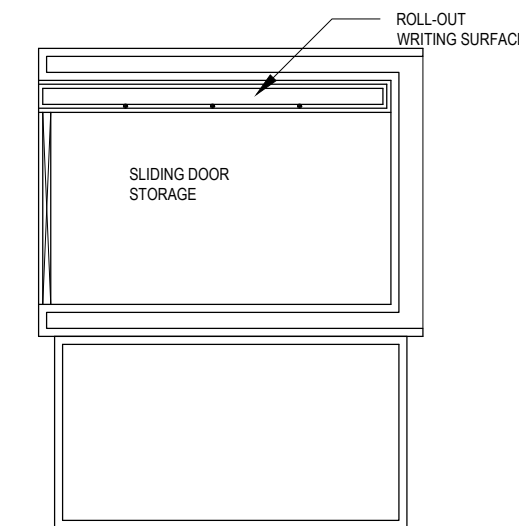
2 FRONT VIEW OF CUSTOM PIECE
SCALE: 1" = 1' - 0"



3 SIDE VIEW OF CUSTOM PIECE
SCALE: 1" = 1' - 0"



4 SECTION VIEW OF CUSTOM PIECE
SCALE: 1" = 1' - 0"



5 SECTION VIEW OF CUSTOM PIECE
SCALE: 1" = 1' - 0"

CUSTOM FIXTURE



DRAWN BY:
MAXWELL PICKETT
COURSE: ADHM 351
DATE: 12/12/2019

ROOM FINISH SCHEDULE FOR THREE BEDROOM APARTMENT UNIT									
ROOM NAME	FLOOR	BASE	N. WALL	E. WALL	S. WALL	W. WALL	CEILING MATERIAL	CEILING HEIGHT	NOTES
BATHROOM	TL-1	WD-1	TL-2, P-1	P-1	P-1	P-1	GYP SUM, P-1	9' - 0" A.F.F.	N/A
BATHROOM 1	TL-1	WD-1	TL-2, P-1	P-1	P-1	P-1	GYP SUM, P-1	9' - 0" A.F.F.	N/A
BEDROOM 1	CPT-1	WD-1	P-1	P-1	P-1	P-1	GYP SUM, P-1	9' - 0" A.F.F.	N/A
BEDROOM 2	CPT-1	WD-1	P-1	P-1	P-1	P-1	GYP SUM, P-1	9' - 0" A.F.F.	N/A
BEDROOM 3	CPT-1	WD-1	P-1	P-1	P-1	P-1	GYP SUM, P-1	9' - 0" A.F.F.	N/A
KITCHEN/DINING	LVT-1	WD-1	TL-2, P-1	TL-2, P-1	P-1	WC-1	GYP SUM, P-1	9' - 0" A.F.F.	N/A
LIVING AREA	LVT-1	WD-1	P-1	P-1	P-1	WC-1	GYP SUM, P-1	9' - 0" A.F.F.	N/A

PRODUCED BY AN AUTODESK STUDENT VERSION

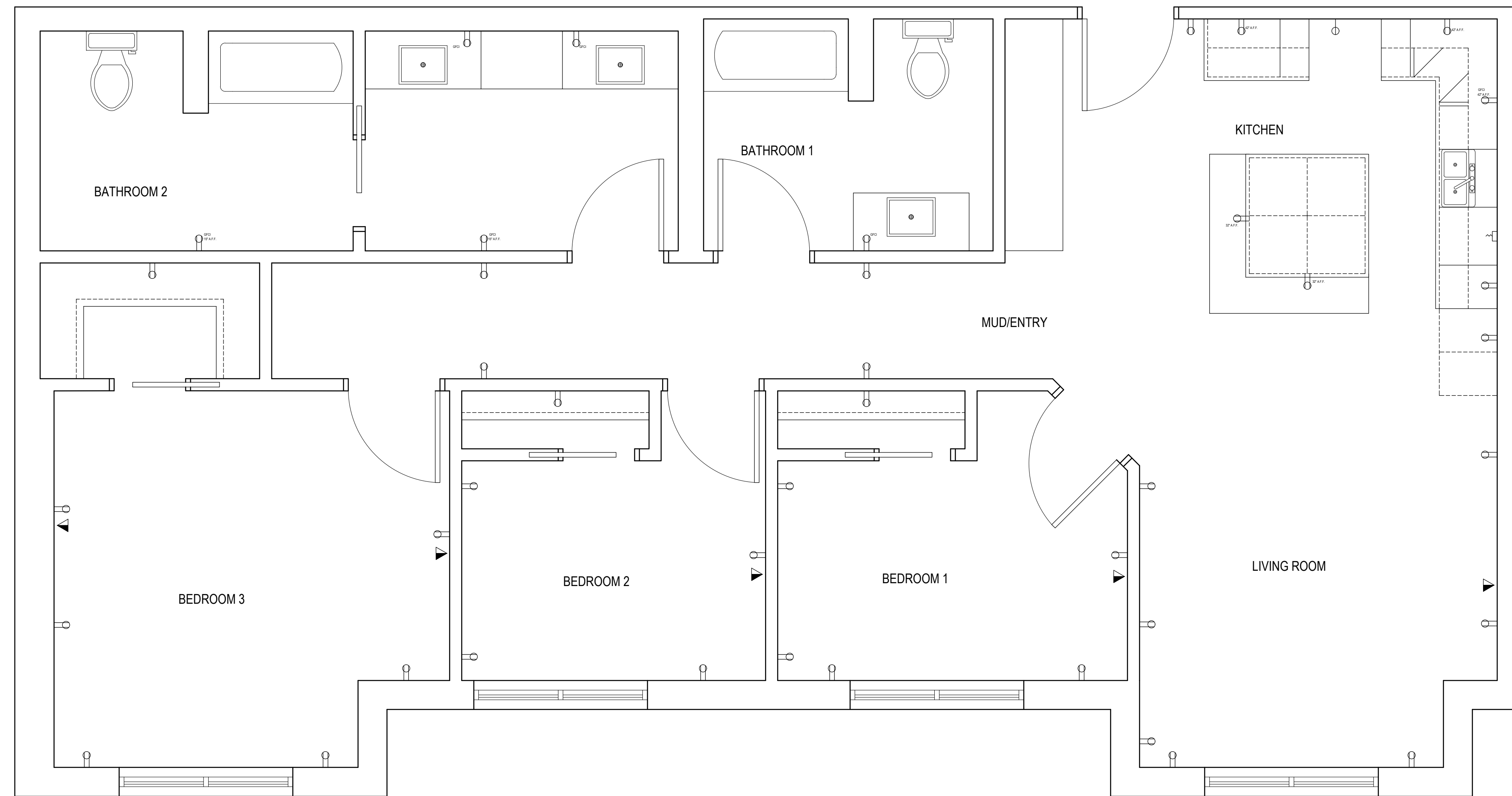
PRODUCED BY AN AUTODESK STUDENT VERSION

ROOM FINISH SCHEDULE



DRAWN BY:
MAXWELL PICKETT
COURSE: ADHM 351
DATE: 12/12/2019

NOTES:
 - REFERENCE PROGRAMMING BINDER FOR ALL SELECTIONS
 - ALL DEVICES ARE MOUNTED AT 15" UNLESS OTHERWISE NOTED



KITCHEN	
	240V RECEPTACLE
	120V DUPLEX RECEPTACLE
	HARDWIRED PIGTAIL RECEPTACLE
	TV/DATA/TELEPHONE JACK

PRODUCED BY AN AUTODESK STUDENT VERSION

PRODUCED BY AN AUTODESK STUDENT VERSION

1 LARGE SCALE REFLECTED CEILING PLAN
 SCALE: 3/8" = 1' - 0"

POWER & COMMUNICATION PLAN



DRAWN BY:
 MAXWELL PICKETT
 COURSE: ADHM 351
 DATE: 12/12/2019